

**ELECTRONIC LATCHING RELAY 16A (REF. 55017)**

**DESCRIPTION**

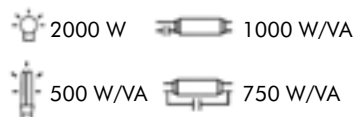


- Enables to connect and disconnect a lighting installation using Rocker Push-buttons.
- Installation in DIN rail track, in Panelboards.

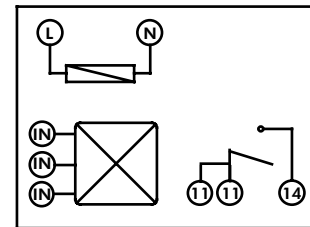
**OPERATION**



**MAXIMUM RECOMMENDED LOAD**



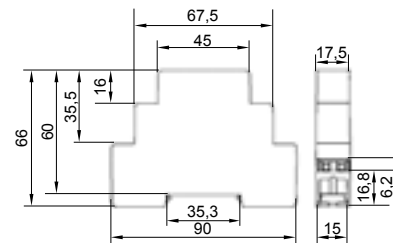
**CIRCUIT DIAGRAM**



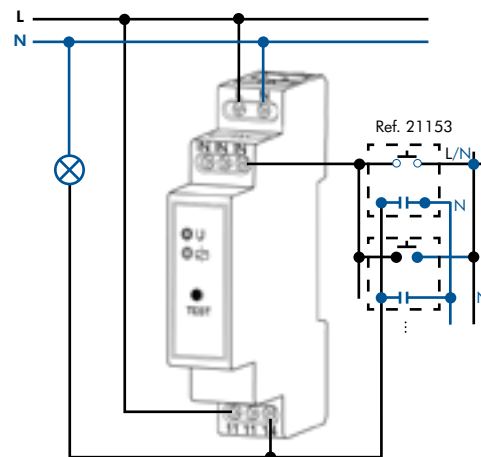
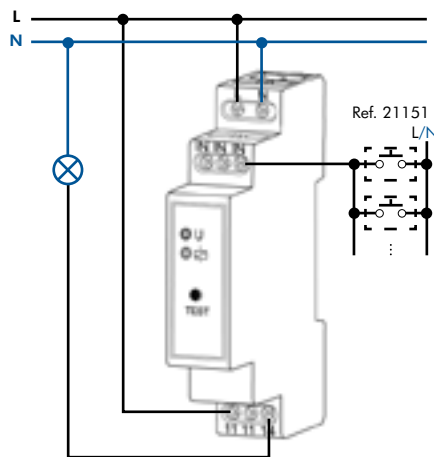
**CHARACTERISTICS**

- Voltage: 230V~.
- Consumption: 24mA.
- Frequency: 50/60Hz.
- Control current: 930μA.
- Output: 1NO - 16A/250V~ 4000VA.
- Cables section: 0,2 - 2,5mm<sup>2</sup>.
- Protection Index: IP20.
- Insulation Class: II.

**DIMENSIONS (mm)**



**WIRING DIAGRAMS**



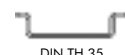
3,5mm



ΣIn ≤ 200A



11 14



DIN TH 35

