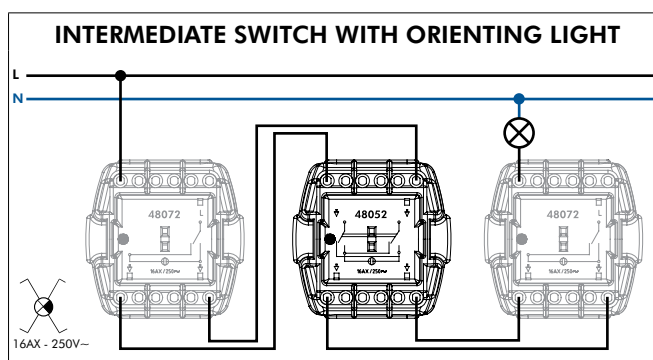
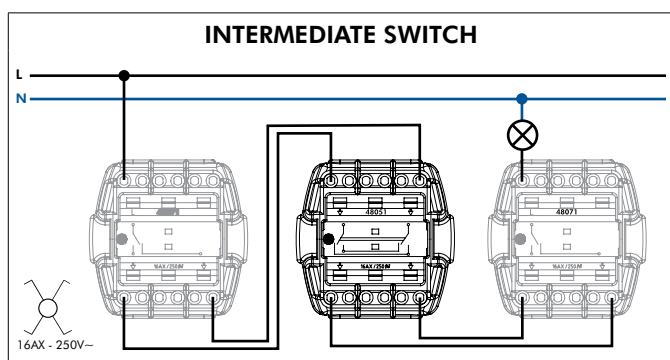
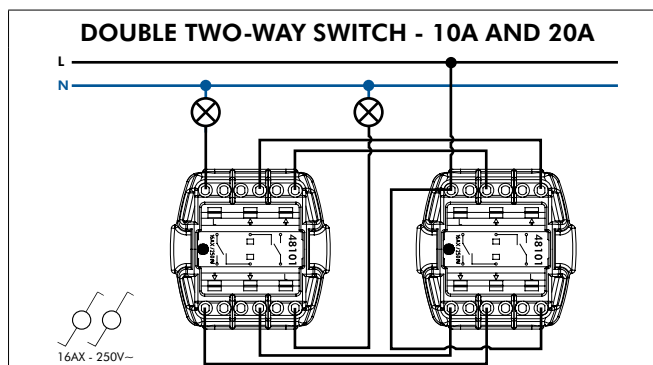
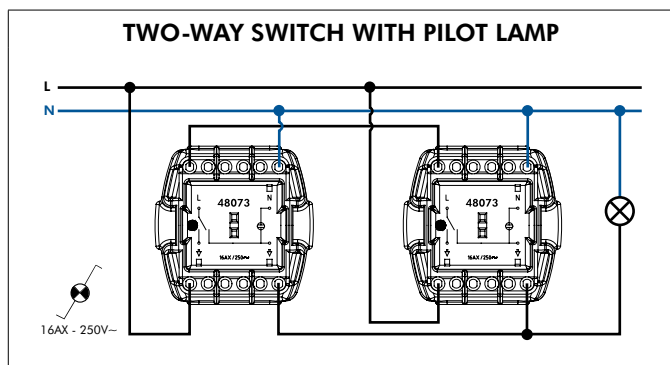
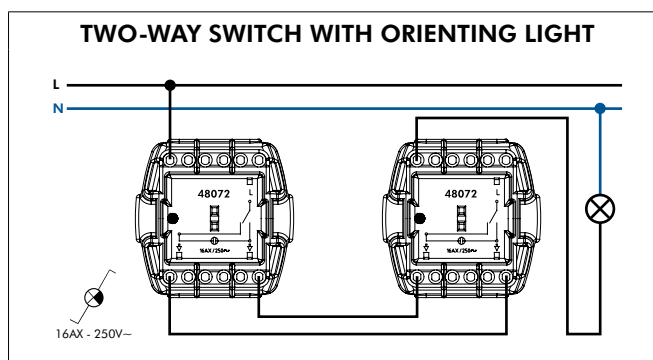
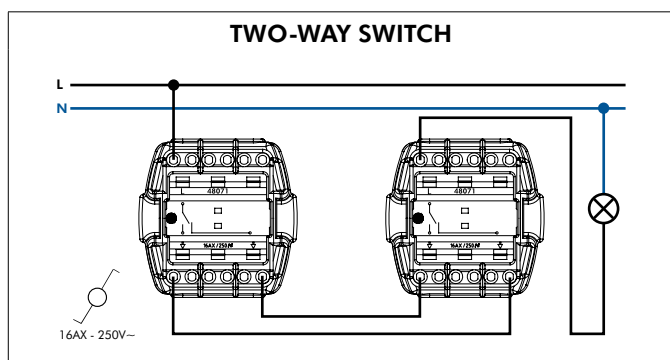
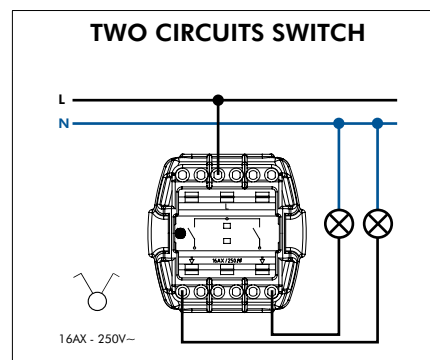
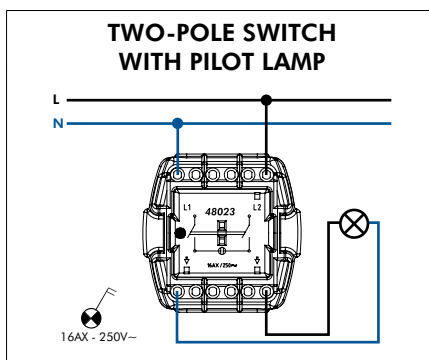
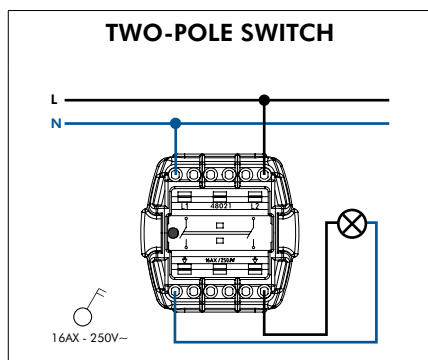
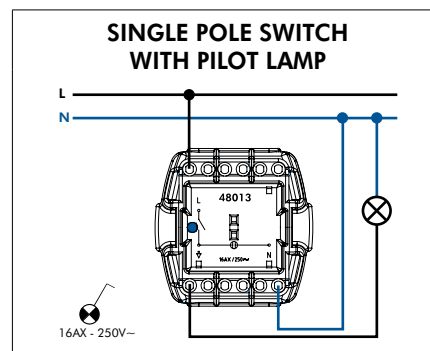
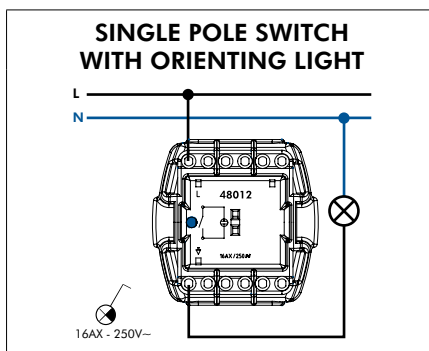
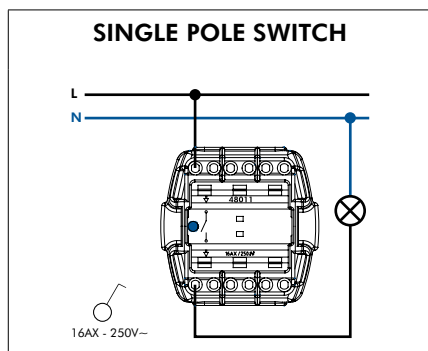


WATERPROOF 48 - WIRING DIAGRAMS



WATERPROOF 48 - WIRING DIAGRAMS

